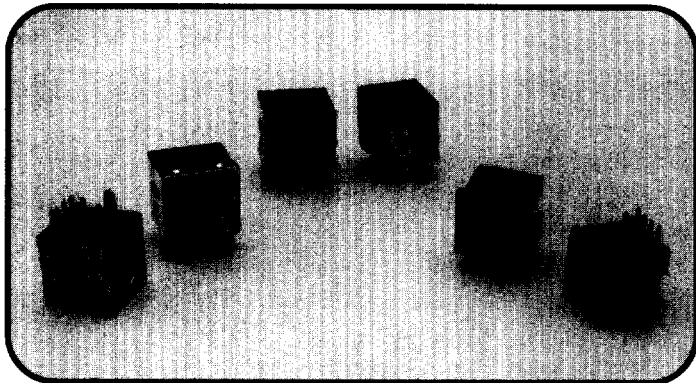


# MMDF Series

## Circular Non-Shielded, Shielded, and Fully Shielded

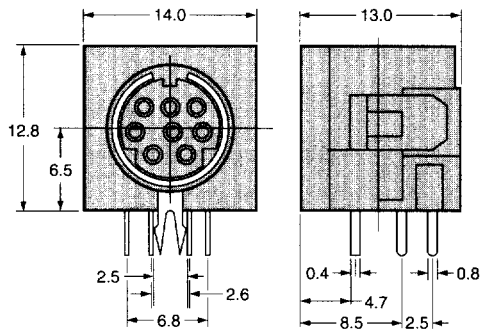


### FEATURES

- Miniature size
- One shell size, 3 to 9 positions
- Non-shielded, shielded, and fully shielded
- Polarization key
- Switch option (consult factory)
- Choice of colors: black, platinum\* pearl white\*
- Grounding tabs or brackets
- Ferrite option for added EMI/RFI noise suppression

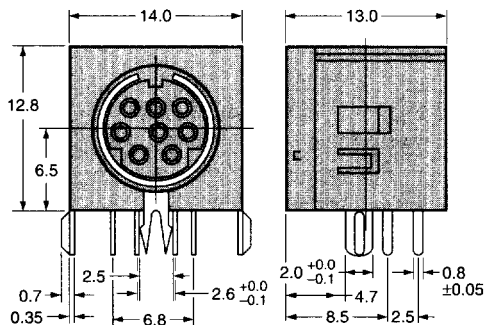
### DIMENSIONS

Non-Shielded (grounding brackets only)



### DIMENSIONS

Shielded Four Sides(grounding brackets only)



### Performance Specifications

#### Materials and Finish

- Shield (outer): Steel, nickel finish
- Shield (inner): Phosphor bronze, nickel finish
- Insert: PBT thermoplastic, 30% glass filled, self-extinguishing, 94V-0 rated
- Contact Material: Phosphor bronze
- Contact Finish: Standard 50 microinch silver over 100 microinch copper  
Optional: 10, 15, or 30 microinch gold over 50 microinch nickel
- Grounding Bracket/Tab: Phosphor bronze, nickel finish

#### Mechanical Characteristics

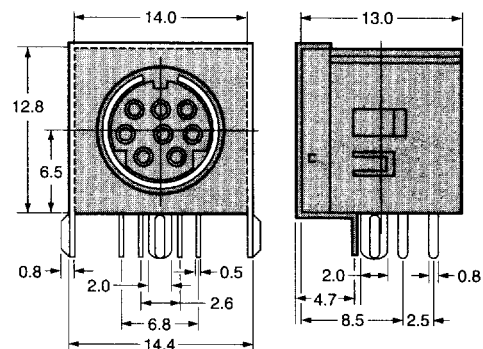
- Contact Separation Force: 1.35 ounces, minimum
- Contact Engagement Force: 1.60 ounces, maximum

#### Electrical Characteristics

- Contact Current Rating: 1 amp, 100 Vac, 2 amp 12 Vdc
- Contact Resistance: 30 milliohms maximum
- Dielectric Withstanding Voltage: 250 Vdc minimum for one minute, 5000 megohms min.
- Insulation Resistance: 50 megohms minimum
- Temperature Rating: -55° C to + 125° C

### DIMENSIONS

Fully Shielded Five Sides(grounding tab only)



### HOW TO ORDER

**MMDF - 8 S N B - F 1**

- Series** — MMDF
- Number of Positions** — 8, 3, 4, 5, 6, 7, 8, 9\*\*
- S** — Shielded (4 sides)
- FS** — Fully Shielded (5 sides)
- N** — Grounding Bracket
- 0** — Grounding Tab
- Plating**
  - 1 — 50 microinch Silver
  - 2 — 10 microinch Gold
  - 3 — 15 microinch Gold
  - 4 — 30 microinch Gold
- Ferrite**
  - Blank — Without ferrite
  - F — With ferrite
- Color**
  - B — Black (Standard)
  - A — Platinum\* (Apple Computer)
  - I — Pearl white\* (IBM)

\* 5,000 piece minimum order.  
\*\* 9 position available fully shielded with grounding tab only.

# MINI-DIN CONNECTORS

## M MDF Series Circular Non-Shielded, Shielded, and Fully Shielded

### Dimensions

Arrangement  
of Contacts

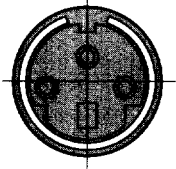
Number  
of Contacts

PCB  
Layout

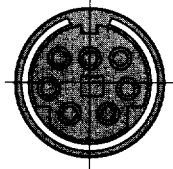
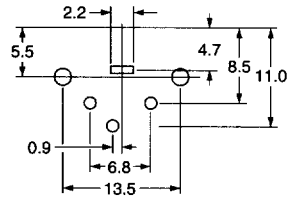
Arrangement  
of Contacts

Number  
of Contacts

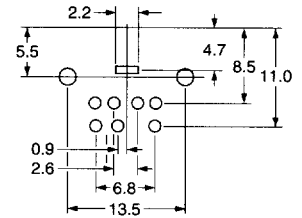
PCB  
Layout



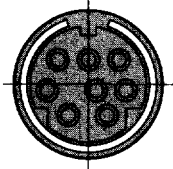
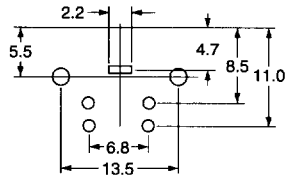
3



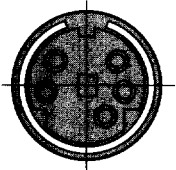
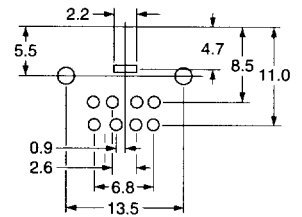
7



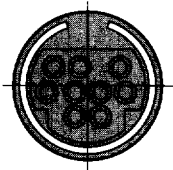
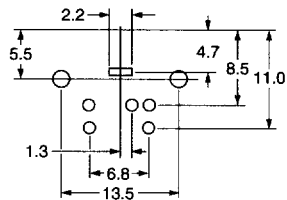
4



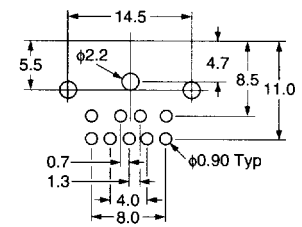
8



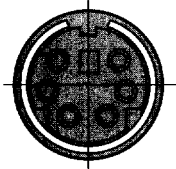
5



9\*



\* 9 position available fully shielded with grounding tab only.



6

